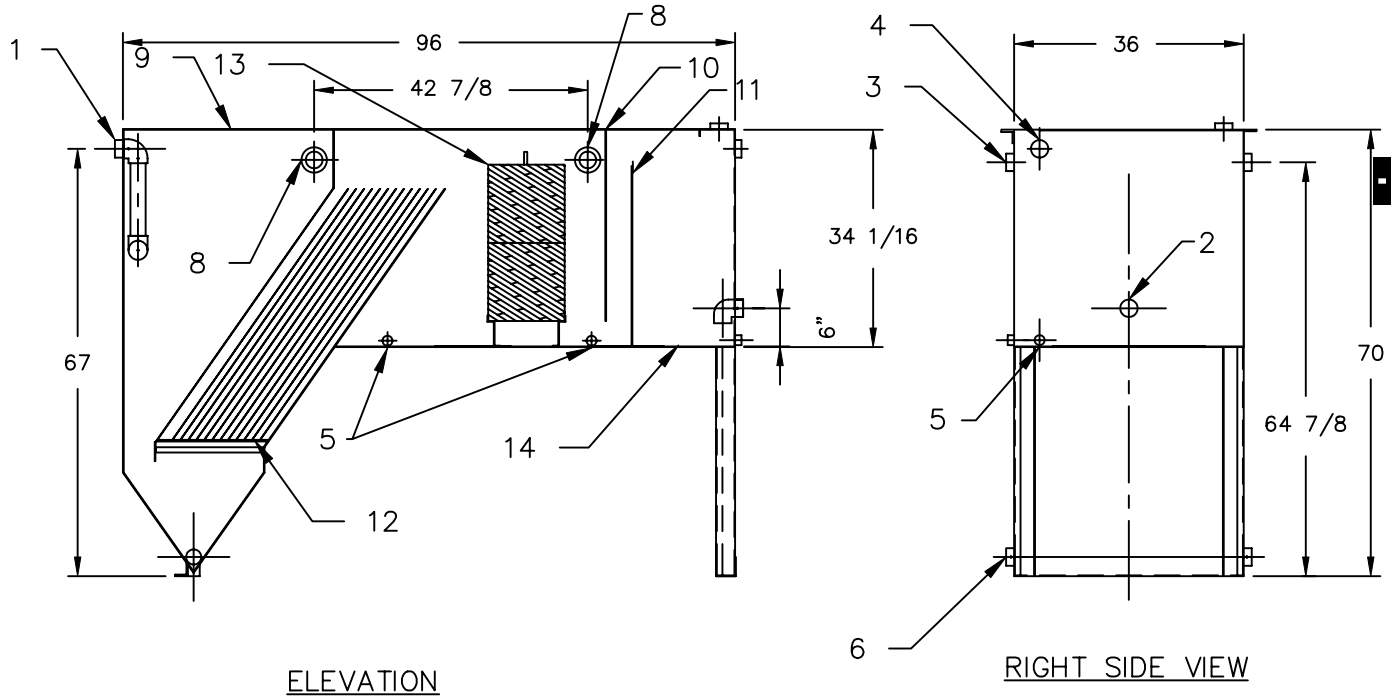


ITEM	QTY	DESCRIPTION	ITEM	QTY	DESCRIPTION
1	1	2" FNPT INLET	8	2	PVC OIL SKIMMER
2	1	2" FNPT OUTLET	9	2	REMOVABLE COVERS
3	4	2" FNPT OIL OUTLET	10	1	OIL STOP WEIR
4	3	2" FNPT VENT	11	1	ADJ. OVERFLOW WEIR
5	3	1" FNPT DRAIN	12	24	PLATES (EQ. SPACED 1" O.C.)
6	2	2" FNPT SLUDGE DRAIN	13	4	COALESCING MEDIA
7	1	LEVEL SENSOR 2"NPT (OPT)	14	1	CLEAN WATER CHAMBER

SHIPPING WEIGHT	950 LBS
OPERATING WEIGHT	3379 LBS
SEPARATOR VOLUME	652 GALLONS
EFFLUENT TANK VOLUME	78 GALLONS
SLUDGE VOLUME	27 GALLONS
COALESCING AREA	6 FT ³
OPT. PRODUCT TANK VOL	40 GALLONS



ELEVATION

RIGHT SIDE VIEW

NOTES

1. MATERIAL: 304SS.
2. GASKET: NEOPRENE.
3. HARDWARE: 18-8 STAINLESS STEEL

REV.	DESCRIPTION	DATE	INIT.
JDI, INC. Water Treatment Systems			
GENERAL ARRANGEMENT MODEL SPT-20		DRN. BY: PMD	CHKD. BY:
PROJECT:		DATE: 09/01/03	
REF:	FILE: SPT-20.DWG	SCALE: 1/2" = 1'	
THIS DRAWING IS PROPERTY OF JDI, INC. AND MUST NOT BE COPIED, LOANED OR DISTRIBUTED WITHOUT WRITTEN PERMISSION.			REV: 0