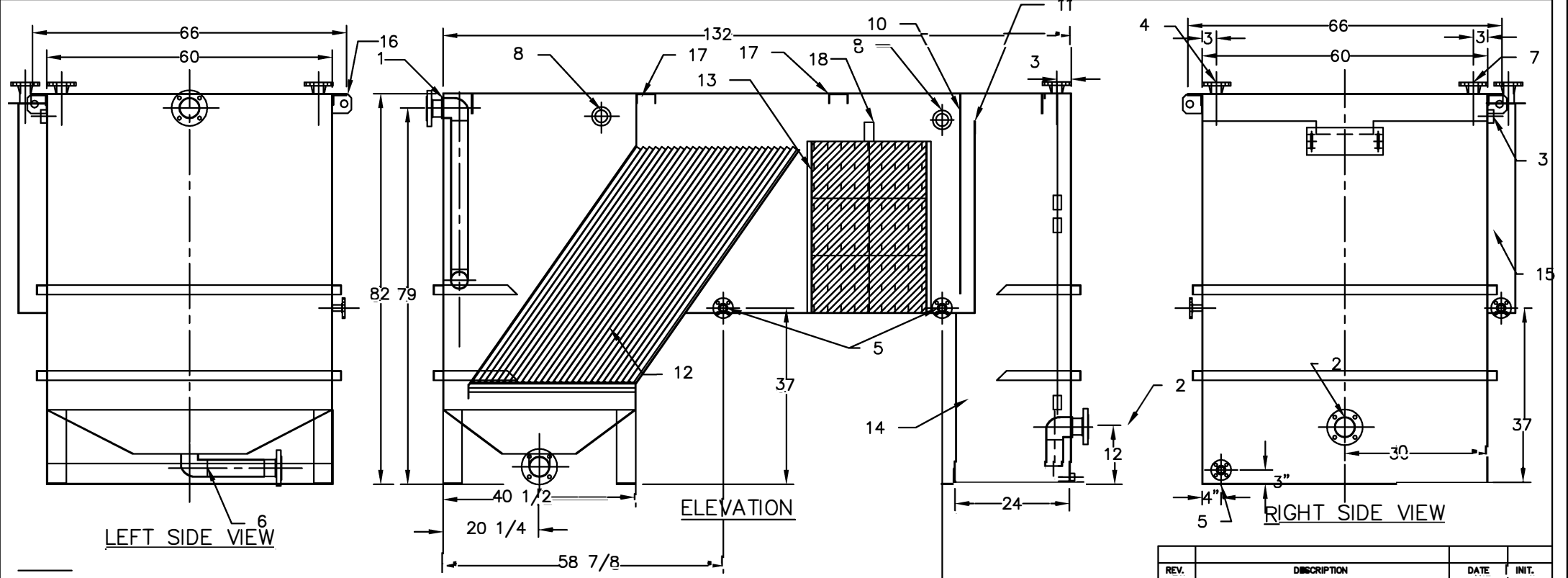


| ITEM | QTY | DESCRIPTION | ITEM | QTY | DESCRIPTION | ITEM | QTY | DESCRIPTION |
|------|-----|---------------------|------|-----|-----------------------------|------|-----|----------------------------|
| 1 | 1 | 3" FLG INLET | 7 | 2 | LEVEL SENSOR PORT 2" NPT | 13 | 30 | CU. FT. COALESCING MEDIA |
| 2 | 1 | 3" FLG OUTLET | 8 | 2 | PVC OIL SKIMMER | 14 | 1 | CLEAN WATER CHAMBER |
| 3 | 2 | 2" FLG OIL OUTLET | 9 | 3 | REMOVABLE COVERS | 15 | 1 | OPTIONAL STORAGE TANK |
| 4 | 2 | 2" FLG VENT | 10 | 1 | OIL STOP WEIR | 16 | 4 | LIFTING LUGS |
| 5 | 4 | 1" FLG DRAIN | 11 | 1 | ADJ. OVERFLOW WEIR | 17 | 2 | SUPPORT CHANNEL FOR COVERS |
| 6 | 1 | 3" FLG SLUDGE DRAIN | 12 | 56 | PLATES (EQ. SPACED 1" O.C.) | 18 | 1 | COALESCING MEDIA HOLD DOWN |

| | |
|-----------------------|--------------------|
| SHIPPING WEIGHT | 6,093 LBS |
| OPERATING WEIGHT | 22,178 LBS |
| SEPARATOR VOLUME | 1,931 GALLONS |
| EFFLUENT TANK VOLUME | 300 GALLONS |
| SLUDGE VOLUME | 85 GALLONS |
| COALESCING AREA | 30 FT ² |
| OPT. PRODUCT TANK VOL | 75 GALLONS |



- NOTES
1. MATERIAL: 3/16" THICK 304 STAINLESS STEEL.
 2. GASKET: 1/4" THICK X 2" WIDE NEOPRENE.
 3. HARDWARE: 18-8 STAINLESS STEEL
 4. COVERS ARE 3/16" THICK ALUMINUM
 5. CLARIFIER PLATES 22 GAUGE 304 SS

| REV. | DESCRIPTION | DATE | INIT. |
|--|------------------------|------------------|---------------------------|
| WASHBAYSOLUTIONS.COM Water Treatment Systems | | | |
| GENERAL ARRANGEMENT SPT-100SS-IP | | | DRN. BY: PND CHKD. BY: |
| PROJECT: | | DATE: 6/1/18 | |
| REF: | FILE: SPT-100SS-IP.dwg | SCALE: 1/2" = 1' | |
| THIS DRAWING IS PROPERTY OF JLI, INC. AND MUST NOT BE COPIED, LOANED OR DISTRIBUTED WITHOUT WRITTEN PERMISSION. | | | REV: 1 |