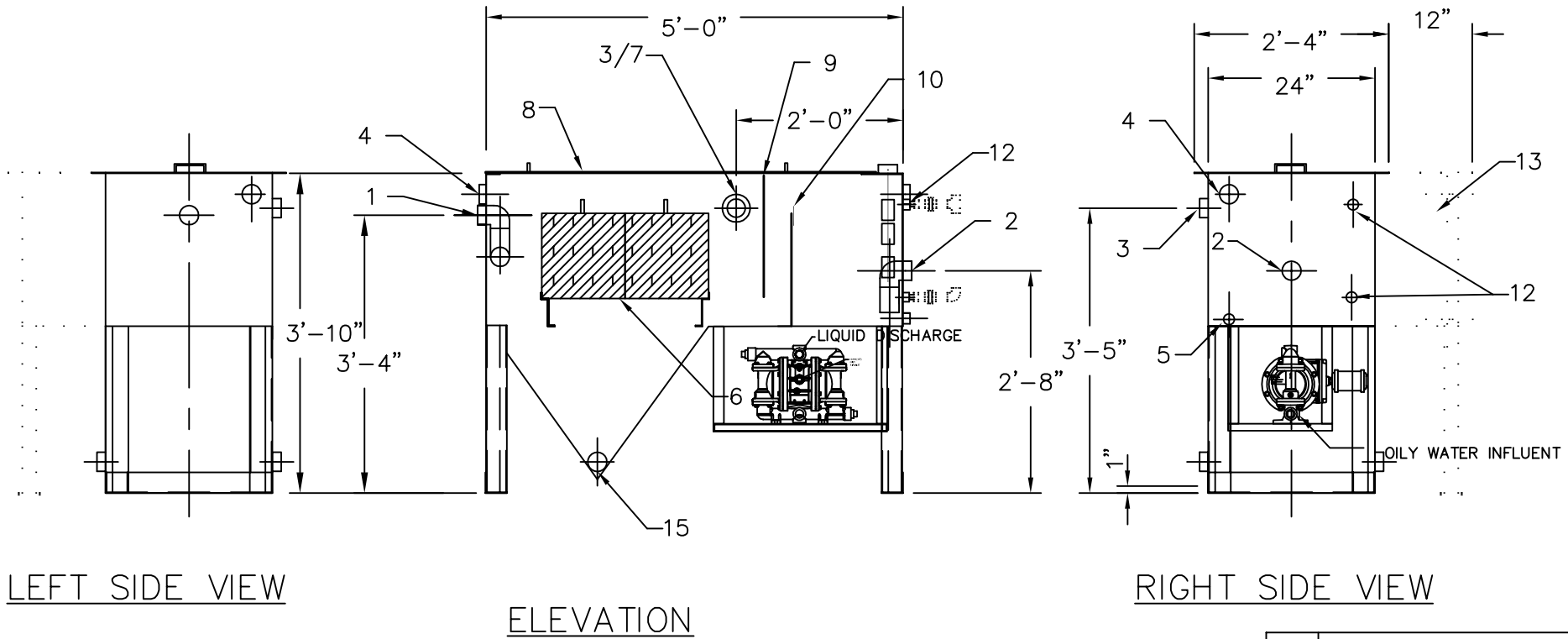


| ITEM | QTY | DESCRIPTION | ITEM | QTY | DESCRIPTION |
|------|-----|--------------------|------|-----|------------------------|
| 1 | 1 | 2" FNPT INLET | 9 | 1 | OIL STOP WEIR |
| 2 | 1 | 2" FNPT OUTLET | 10 | 1 | ADJ. OVERFLOW WEIR |
| 3 | 1 | 2" FNPT OIL OUTLET | 11 | 0 | OPTIONAL MESH PAD |
| 4 | 2 | 2" FNPT VENT | 12 | 0 | OPT. SIGHT GLASS PORTS |
| 5 | 2 | 1" FNPT DRAIN | 13 | 0 | OPTIONAL PRODUCT TANK |
| 6 | 1 | COALESCING PLATES | 14 | 0 | NOT USED |
| 7 | 1 | PVC OIL SKIMMER | 15 | 2 | 2" FNPT SLUDGE DRAIN |
| 8 | 1 | REMOVABLE COVER | | | |

| | |
|-----------------------|-------------------|
| SHIPPING WEIGHT | 320 LBS |
| OPERATING WEIGHT | 1744 LBS |
| SEPARATOR VOLUME | 178 GALLONS |
| EFFLUENT TANK VOLUME | 24 GALLONS |
| SLUDGE VOLUME | 28 GALLONS |
| COALESCING AREA | 4 FT ³ |
| OPT. PRODUCT TANK VOL | 60 GALLONS |



NOTES

1. MATERIAL: 12 GAUGE 304SS.
2. GASKET: NEOPRENE.
3. HARDWARE: 18-8 STAINLESS STEEL
4. INTERNAL PIPE SCH 80 PVC

| REV. | DESCRIPTION | DATE | INIT. |
|--|------------------|------------------|-----------|
| WASHBAYSOLUTIONS.COM Water Treatment Systems | | | |
| GENERAL ARRANGEMENT MODEL WB-GM-2-HP | | DRN. BY: JJD | CHKD. BY: |
| PROJECT: | | DATE: 12/1/15 | |
| REF: | FILE: WB-GM-2-HP | SCALE: 1/2" = 1' | |
| THIS DRAWING IS PROPERTY OF WASHBAYSOLUTIONS.COM AND MUST NOT BE COPIED, LOANED OR DISTRIBUTED WITHOUT WRITTEN PERMISSION. | | | REV: 0 |